

Water storage heater S10



Small electric water storage heater with pressure-type internal tank of corrosion-proof copper for supplying hot water between approx. 35 °C and 80 °C to one point of use. The appliance can be installed either as a vented unit in combination with an open-outlet fitting or as an unvented unit in combination with a corresponding relief valve. The water in the storage heater is automatically maintained at the infinitely variable, preset temperature by a controller. High-grade thermal insulation ensures low energy consumption in standby mode.



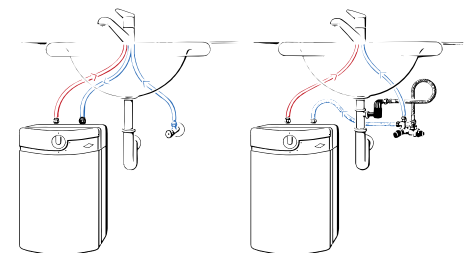
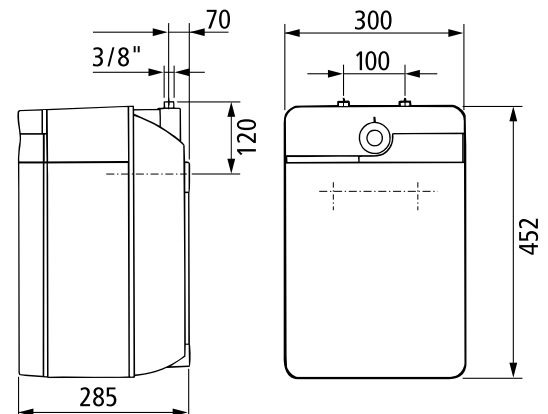
Description

- Small electric water storage heater with 10 litres capacity, unvented design
- For under-table (S10-U) or above-table (S10-O) installation
- Corrosion-proof internal copper tank with recyclable thermal insulation
- Temperature controller from approx. 35 °C to 80 °C
- Frost protection
- 3-stage temperature lock of the selector range
- Power cable approx. 65 cm long, with standard European plug

Use


- Solitary points of use, such as kitchen sinks

Dimensions (in mm)



Example of a pressureless installation with open-outlet mixer for one point of use

Example of a pressure-type installation with relief valve SGU (also for two points of use in combination with set of accessories)

Type	S10-U	S10-O
Article No.	42102	41102
Capacity, internal tank	10 litres, copper	
Design (nominal pressure)	Closed-outlet / 8 bar	
Thermal insulation	Polyurethane	
Power rating	2.2 kW at 220 – 240 V ~	
Current consumption	10 A	
Water connection (metal)	G 3/8 (top)	G 1/2 (bottom)
Temperature range	≤ 80 °C	
Amount of water at 40 °C (blended from 65 °C and 15 °C)	Approx. 20 litres	
Heating time $\Delta t = 45K$	14 minutes	
Power consumption in standby mode at 55 °C	0.34 kWh / 24 h	0.30 kWh / 24 h
Weight with water	16.5 kg	
Type of protection, safety mark	IP24 	

Sample text for specification

Delivery and installation of ... ea. small electric water storage heaters, unvented (closed-outlet) design, with internal copper tank, capacity 10 litres, 2.2 kW 230 V~, temperature controller up to approx. 80 °C, (under-table appliance: type S10-U) –* (above-table appliance: type S10-O), (open-outlet with fitting Item...) –* (closed-outlet with relief valve Item ...).

* Delete as appropriate

Accessories

SGU (Art. No. 40013)

Under-table relief valve with non-return valve, pressure reducer and flexible connecting hoses for unvented installation with the S10-U. Set of T-pieces for a second point of use (Art. No. 40014)

SG (Art. No. 40011)

Above-table relief valve for unvented installation with the S10-O